

ASSEMBLY INSTRUCTIONS

FOR TOOL FREE BED

Each bed comes with the following:

Two (2) each headboards with 9-pin or 12-pin U-channels.

Two (2) each steel bed rails

One (1) 3-piece or one (1) single-piece plywood deck, or (1) spring deck.

Note: When using a single-piece plywood deck, if the deck is not mechanically fastened to the metal side rails, **wood deck enclosure rails must be used.**

Two (2) each 3/8" x 4" bunking pins.

Options: Guard Rail, Wood Deck Enclosure Rails.

Tools that may be used for assembly:

Rubber mallet

Allen Wrench for attaching Guardrails/deck enclosure rails.

Bed Assembly Instructions for 3-piece deck, single piece deck, and spring deck:

1. Place the two headboards and bed deck on the floor. The groove section with metal pin U-channel should be oriented toward the bed deck. Make certain headboards are in a similar orientation.
Note: Headboards can be flipped to obtain additional mounting heights.
2. If a 3-piece wood deck is used, secure the 3 pieces of plywood deck to the steel side rails with fasteners provided. If a single-piece plywood deck is used, secure the deck to the steel side rails with fasteners provided. If you choose not to secure the single-piece plywood deck with fasteners, go to step 4.
3. Once the deck is prepared (fastened single-piece plywood deck, 3-piece deck or spring deck), use 2 people to lift the assembled deck or the spring deck and insert each steel side rail into the desired pin locations in each bed post of the headboard. When engaging the steel side rails of the bed deck to the headboard posts, **make certain the metal side rails are aligned so bed deck is level.** At each end of the steel side rail, **there must be 2 pins engaged at each post** (see diagram #1). Push the steel side rails down onto pins or if needed use a rubber mallet to tap into place. Go to step 6.
4. If using a single-piece plywood deck **without** fasteners, then wood deck enclosure rails **must** be used to hold the single-piece plywood deck in place.

Attach wood deck enclosure rails to the steel side rails with the fasteners provided.

5. Using 2 people, insert the steel side rails onto the desired pin locations in each bed post of the headboard. When engaging the steel side rails of the bed deck to the headboard posts, **make certain the bed deck is level**. At each end of the steel side rail, **there must be 2 pins engaged at each post** . Insert single-piece wood deck between the wood enclosure rails. Push the entire deck down onto pins or if needed use a rubber mallet to tap into place.
6. Bed is ready for mattress.

Loft Kit assembly instructions:

1. Place the two headboards and steel stabilizer rail on the floor. The groove section with metal pin U-channel should be toward the inside.
1. Using 2 people, insert the wood stabilizer rail onto the upper 2 pins located in each bed post of the headboard. When engaging the steel stabilizer rail to the headboard posts, **make certain the steel stabilizer bar is level**. At each end of the steel stabilizer rail, **there must be 2 pins engaged at each post** (see diagram #10).
3. Insert a metal bunking pin into each top of the 4 posts of the lofting kit.
4. Lofting kit is ready to have the bed placed upon it. Using 2 people lift the assembled Bed on top of lofting kit and engage each bunking pin of the lofting kit to the underside of each post of the bed.

Guard Rail assembly instructions:

1. Attaching the Guard Rail for the Tool Free Bed requires wood deck enclosure rails to be installed first.
2. Place assembled bed on floor. Do not attempt to attach guard rail while bed is bunked or lofted.
3. The guard rail consists of a wood rail with two holes at both ends. Hardware consists of two JC cap nuts inserted into these holes which receives the threads, and two 1/4-20 x 35mm JC bolts.
4. With face of guard rail up, pound JC cap nut into holes at each end of guard rail.
5. Align the guard rail to the wood deck enclosure rail, making sure that the JC cap nuts are on the outside. Reach under the wood deck enclosure rail and insert the JC bolt through the rail and thread into the JC cap nut. Tighten to secure.

Configurations

For Tool Free Bed

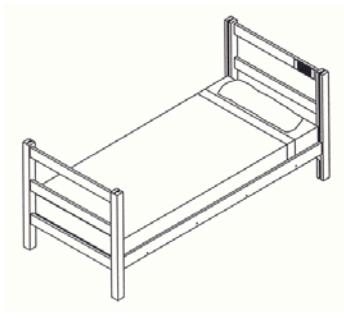
These Configurations are for 6-pin Tool Free Beds
Purchased prior to December 31, 2005.

Tool Free beds are designed for nine different configurations. For safety, beds should be only configured in one of these nine configurations and are not to be configured in any other manner.

Diagrams #2-#6 - Single bed configurations:

These 5 approved configurations are for single bed arrangements. Refer to Tool Free Bed assembly instructions for proper deck positioning.

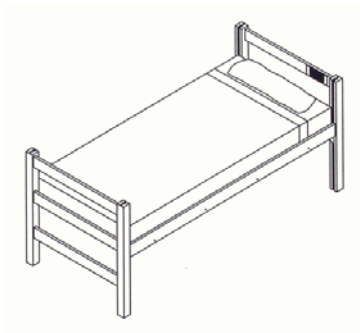
2. Single Bed



Steel side rails placed on **bottom** set of pins.

Make certain bed deck is **level** and that **2 pins** are engaged at each post.

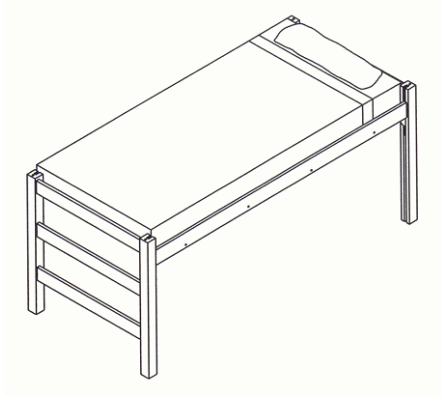
3. Elderhostel Bed



Steel side rails placed on **middle** set of pins.

Make certain bed deck is **level** and that **2 pins** are engaged at each post.

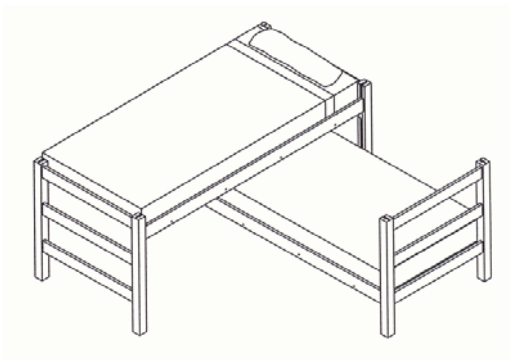
4. **Captain's Bed**



Steel side rails placed on **upper** set of pins.

Make certain bed deck is **level** and that **2 pins are engaged at each post.**

5. **L-Shaped Bed**



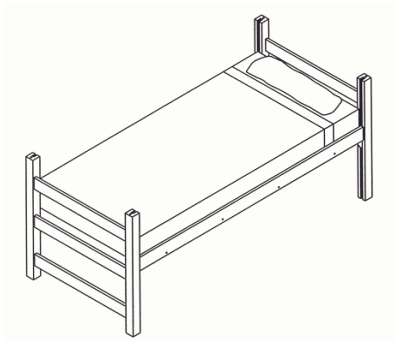
Steel side rails placed on **upper** set of pins for one bed.

Steel side rails placed on **bottom** set of pins for another bed.

Nest beds together.

Make certain bed deck is **level** and that **2 pins are engaged at each post.**

6. **Barrier Free Bed**



Flip both headboards.

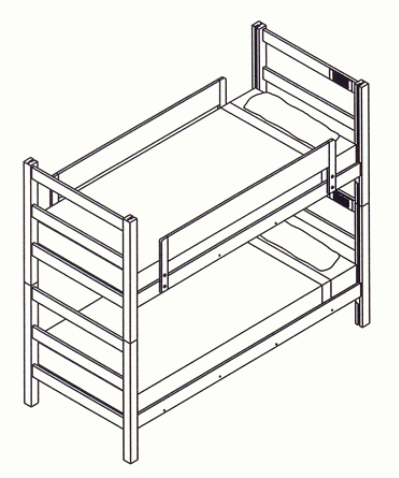
Steel side rails placed on **middle** set of pins.

Make certain bed deck is **level** and that **2 pins are engaged at each post.**

Diagrams #7-#10 - Double and Lofted bed configurations:

These 4 approved configurations are for two beds and lofted arrangements. Refer to Tool Free Bed assembly instructions for proper deck positioning as well as bunking and lofting instructions.

7. **Low Bunk Bed**

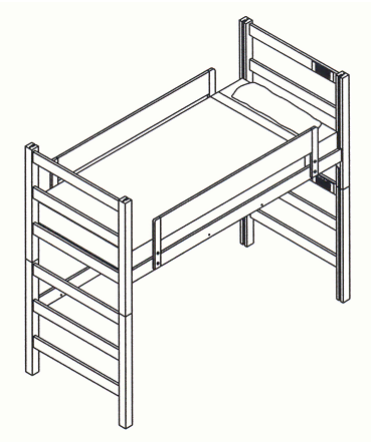


Steel side rails of top bed placed on **bottom** set of pins.
Steel side rails of bottom bed placed on **bottom** set of pins.

Make certain there is a **bunking pin** inserted in **each post** of the **lower bed**.

Make certain bed deck is **level** and that **2 pins are engaged at each post**.

8. **Low Loft**



Steel side rails of bed placed on **bottom** set of pins.

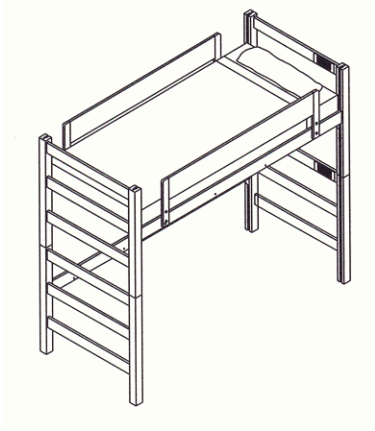
Make certain there is a **bunking pin** inserted in **each post** of the **loft kit**.

Make certain **stabilizer rail** is **level** and that **2 pins are engaged at each post**.

Make certain bed deck is **level** and that **2 pins are engaged at each post**.

9. **High Loft**

Steel side rails of the bed placed on



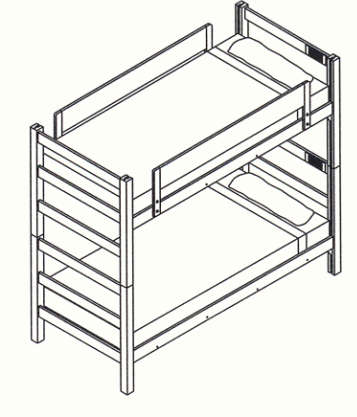
middle set of pins.

Make certain there is a **bunking pin** inserted in **each post** of the loft kit.

Make certain **stabilizer rail** is **level** and that **2 pins** are **engaged at each post**.

Make certain bed deck is **level** and that **2 pins** are **engaged at each post**.

10. High Bunk Bed



Steel side rails of the top bed placed on **middle** set of pins.

Steel side rails of bottom bed placed on **lower** set of pins.

Make certain there is a **bunking pin** inserted in **each post** of the loft kit.

Make certain **stabilizer rail** is **level** and that **2 pins** are **engaged at each post**.

Make certain bed deck is **level** and that **2 pins** are **engaged at each post**.